

Product data sheet

Specifications



discrete input module Modicon Quantum - 32 I 24 V DC

140DDI35300

! Discontinued on: 31 December 2022

! To be end-of-service on: 31 December 2030

! Discontinued - Service only

Main

Range of Product	Modicon Quantum automation platform
Product or Component Type	Low voltage dc discrete input modules
Discrete input number	32

Complementary

Group of channels	4
Logic input	Positive (sink)
Discrete input voltage	24 V DC
Input voltage limits	19.2...30 V
Voltage state 1 guaranteed	15...30 V DC
Voltage state 0 guaranteed	-3...5 V DC
Current state 1 guaranteed	≥ 2 mA at $U_s = 5.5$ V and $U_{in} = 0$ V
Current state 0 guaranteed	≤ 0.5 mA
Addressing requirement	2 input words
Input impedance	2500 Ohm
Maximum leakage current	200 mA at $U_s = 5.5$ V and $U_{in} = 4$ V
Absolute maximum input	30 V continuous 56 V during 1.3 ms decaying pulse
Response Time	≤ 1 ms from state 0 to state 1 ≤ 1 ms from state 1 to state 0
Protection Type	Input protection by resistor limited
Power dissipation	1.7 W + (0.36 x number of points on)
Isolation between group and bus	1780 Vrms for 1 minute
Isolation between group	500 Vrms for 1 minute
Local signalling	for bus communication is present (Active) 1 LED (green) for external fault detected (F) 1 LED (red) for input status 32 LEDs (green)
Marking	CE
Bus current requirement	330 mA
Module format	Standard

Net Weight	0.66 lb(US) (0.3 kg)
------------	----------------------

Environment

Standards	CSA C22.2 No 142 UL 508
Product Certifications	C-tick DNV RINA RMRS BV GOST ABS
Resistance to electrostatic discharge	4 kV contact IEC 801-2 8 kV on air IEC 801-2
Resistance to electromagnetic fields	9.14 V/m (10 V/m) 80...2000 MHz IEC 801-3
Ambient Air Temperature for Operation	32...140 °F (0...60 °C)
Ambient Air Temperature for Storage	-40...185 °F (-40...85 °C)
Relative Humidity	95 % without condensation
Operating altitude	<= 16404.2 ft (5000 m)

Ordering and shipping details

Category	18155-QUANTUM I/O & POWER SUPPLIES
Discount Schedule	PC21
GTIN	3595861133815
Returnability	No
Country of origin	CN

Packing Units

Unit Type of Package 1	PCE
Number of Units in Package 1	1
Package 1 Height	1.83 in (4.65 cm)
Package 1 Width	6.48 in (16.45 cm)
Package 1 Length	12.19 in (30.97 cm)
Package 1 Weight	14.43 oz (409.2 g)
Unit Type of Package 2	S03
Number of Units in Package 2	7
Package 2 Height	11.81 in (30 cm)
Package 2 Width	11.81 in (30 cm)
Package 2 Length	15.75 in (40 cm)
Package 2 Weight	123.25 oz (3494 g)
Unit Type of Package 3	P12
Number of Units in Package 3	168
Package 3 Height	37.40 in (95 cm)
Package 3 Width	31.50 in (80 cm)
Package 3 Length	47.24 in (120 cm)
Package 3 Weight	3275.34 oz (92856 g)

Offer Sustainability

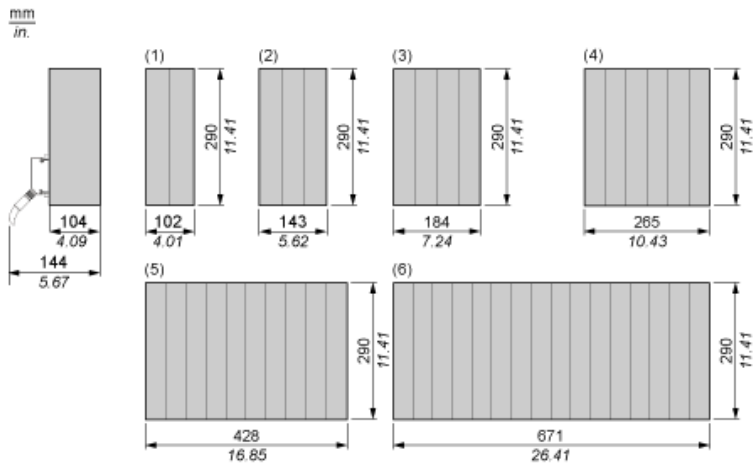
Sustainable offer status	Green Premium product
California proposition 65	WARNING: This product can expose you to chemicals including: Lead and lead compounds, which is known to the State of California to cause cancer and birth defects or other reproductive harm. For more information go to www.P65Warnings.ca.gov
REACH free of SVHC	Yes
EU RoHS Directive	Pro-active compliance (Product out of EU RoHS legal scope) EU RoHS Declaration
Mercury free	Yes
China RoHS Regulation	China RoHS declaration
RoHS exemption information	Yes
Circularity Profile	End of Life Information
WEEE	The product must be disposed on European Union markets following specific waste collection and never end up in rubbish bins.

Contractual warranty

Warranty	18 months
-----------------	-----------

Racks for Modules Mounting

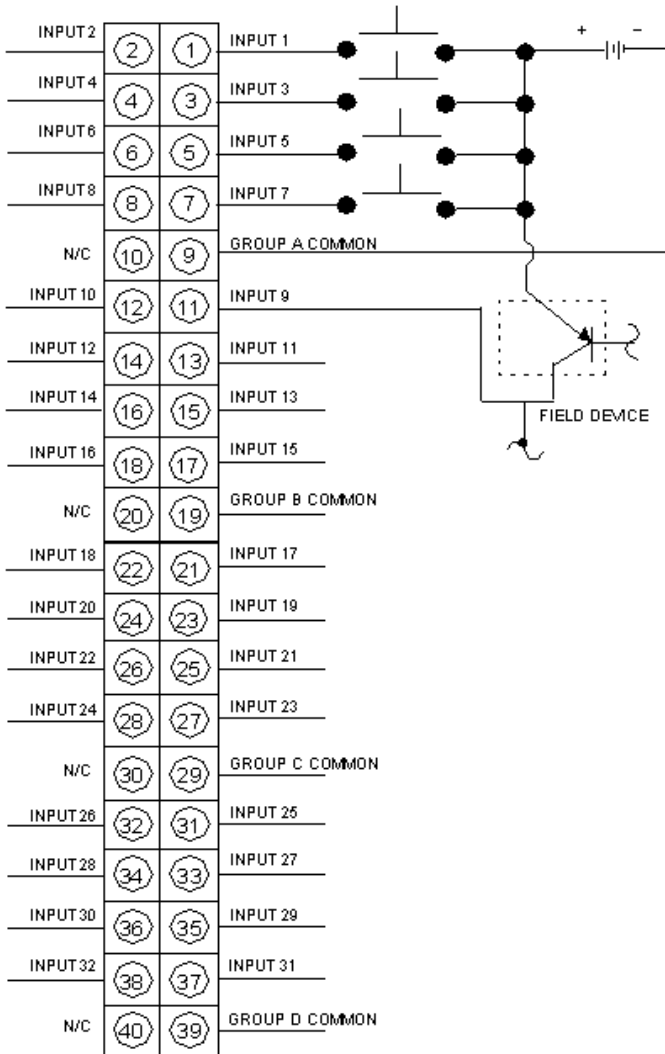
Dimensions of Modules and Racks



- (1) 2 slots
- (2) 3 slots
- (3) 4 slots
- (4) 6 slots
- (5) 10 slots
- (6) 16 slots

24 Vdc Discrete Input Sink Module

Wiring Diagram



N/C Not Connected

Recommended replacement(s)

140DDI35300 is replaced by:

1x



discrete input module, Modicon X80, 32 inputs, 24V DC positive
BMXDDI3202K